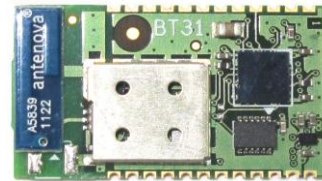


# BT31

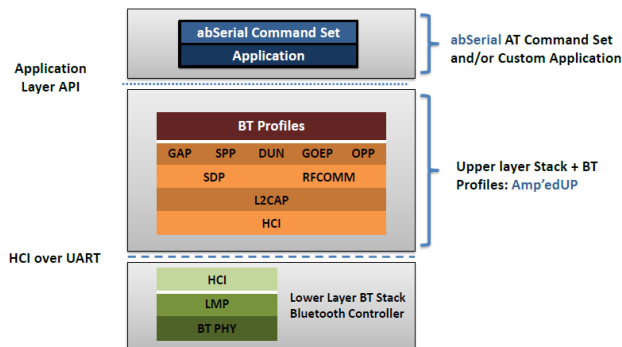
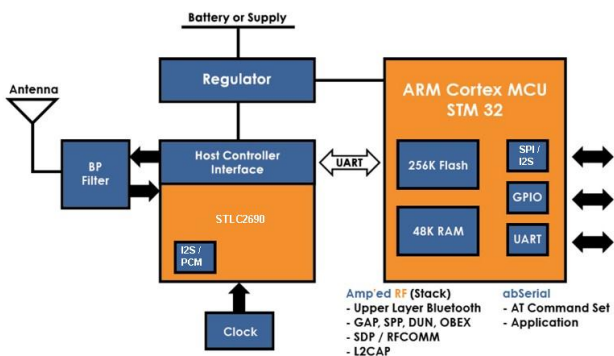
Supporting the next generation Bluetooth, specification v3.0, the BT31 delivers a multifunction solution in a ready to use module:

- Bluetooth complete RF ready module
- Quick time-to-market
- Easy to customize

An integrated STM32 Cortex processor adds best-in-class performance and offers 16 general input/output lines, several serial interface options, analog-to-digital inputs, add up to 1.5Mbps data throughput.



15mm x 27mm



## Features

### Bluetooth features

- FCC & Bluetooth licensed radio
- Bluetooth v3.0
- Class 1 radio
- Range up to 100m LOS
- 1.5Mbps data throughput
- 128-bit encryption security
- Multipoint capability up to 7 slaves
- FM Tx/Rx integrated radio

### Hardware configuration

- Cortex-M3 microprocessor up to 72MHz
- 256K bytes flash memory
- 48K bytes RAM memory
- UART, up to 2Mbps
- SPI, I2C, I2S and PCM interfaces
- 16 general purpose I/O
- 4x12bit A/D inputs
- 1 DAC output

### Embedded software

- Amp'edUP Bluetooth stack (SPP, OBEX, A2DP, HSP)
- abSerial, AT command set
- SDK, Software Development Kit (Optional)
- BlueGuard, data encryption software (Optional)
- Mobile application software(Optional)

## Amp'ed RF Technology Bluetooth

We've teamed up with ST Microelectronics and ST Ericsson to offer you the most advanced Bluetooth technology in a variety of highly reliable and affordable platforms. Our Bluetooth Upper Layer Stack, Amp'edUP, and AT command serial interface, abSerial, give you options ranging from complete turnkey solutions to licensing our designs and firmware – options our competitors simply don't have.

